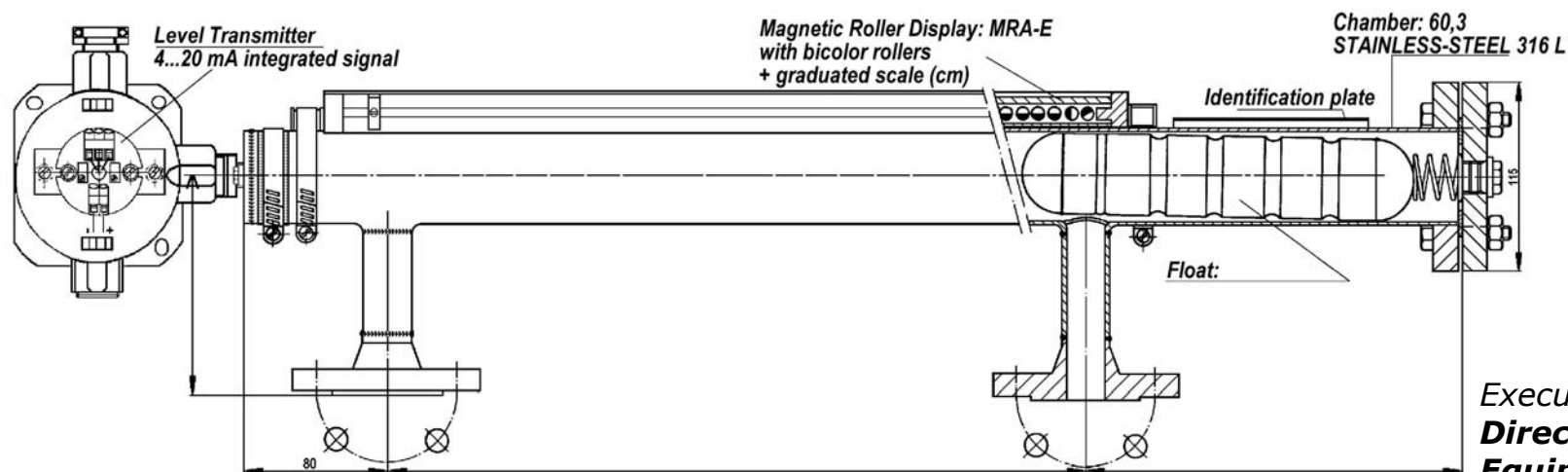


# MAGNETIC LEVEL INDICATOR

EXPLOSIVE ATMOSPHERES ACCORDING TO DIRECTIVE 94/9/CE

LCIE 03 ATEX 6156 X

VERSION : AF/ADF... II 2 G EEX d IIC T6...T4



Execution according to **European Directive for Under Pressure Equipments N°97/23/CE** and **Decree N°99-1046 of the 13/12/1999**

**PROCESS CONNECTION:**

Flange

**MATERIAL:**

STAINLESS-STEEL 316

**VENT:**

1/2" NPT

**DISPLAY:**

MRA

**DRAIN PLUG:**

1/2" NPT

**OPERATING CONDITIONS:**

**Density:** .....

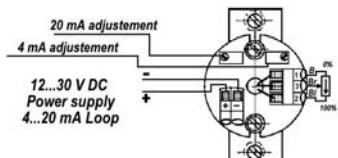
**Temperature:** .....

**Operating pressure (OP):** .....

**Test pressure (TP):**.....

Possible mounting according to CODAP 2000

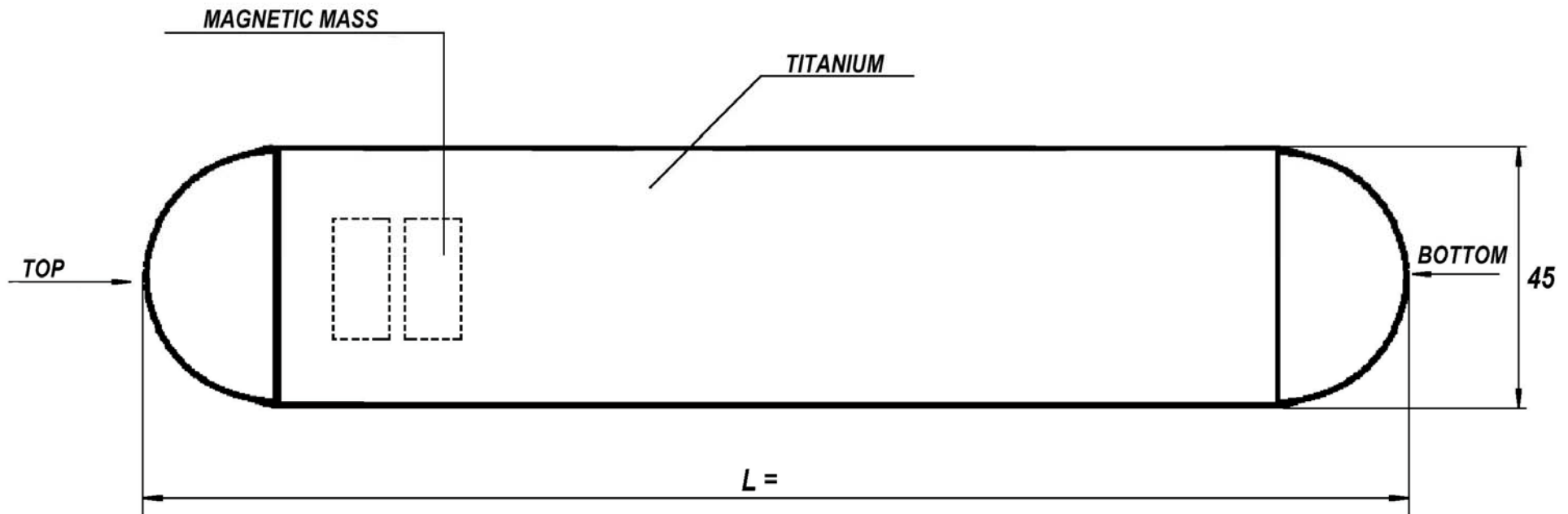
**HEAD MOUNTED 4...20 mA SIGNAL**



	10, avenue d'Alsace 68702 CERNAY	TEL: +333.89.75.41.73 FAX: +333.89.75.53.14
	TYPE: <b>BMG-DN-PN-VK-M -MRAE-R/I-4.20-2C-C30EX</b>	

✕BYP/04-1

# MAGNETIC CYLINDRICAL FLOAT



**OPERATING CONDITIONS:**

**Density:** .....

**Temperature:** .....

**Operating pressure (OP):** .....

**Test pressure (TP):** .....

	10, avenue d'Alsace 68702 CERNAY	TEL: +333.89.75.41.73 FAX: +333.89.75.53.14
TYPE: <b>ZTS 45/</b> /       /       /		
<div style="border: 1px solid black; display: inline-block; padding: 2px 5px;">           ✕BYP/04-2         </div>		

# MAGNETIC SWITCH DIRECTIVE 94/9/CE EXPLOSIVE ATMOSPHERES INHERENT SAFETY "i" VERSION

LCIE 01 ATEX 6047 X  II 1 G - EEx ia IIC T6 à T3.

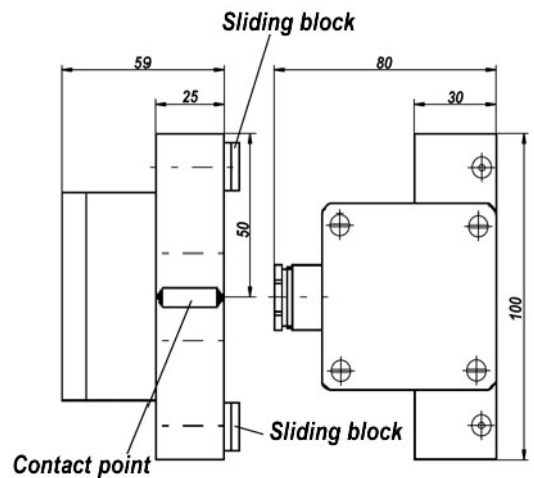
**TYPE : BGU-A-E.**


**OPERATING PRINCIPLE :**

An annular magnet, float-integrated, through the medium of his magnetic field, operates a switch with flexible blades ( under protective atmosphere, also called REED) through the guide tube wall, allowing so no-voltage switching for a change-over function.

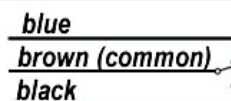
**APPLICATION :**

Float representation in lowered position. Magnetic switches having a memory function, it is necessary to make a complete cycle (one rising and one sinking of the float for a good electrical positioning of the switch ).



Contact:	Reed contact
Contact type:	1 SPDT
Contact behaviour:	bistable
Breaking power:	 inherent safety circuit connection 100 mA and 30 V max. certified
Dangerous area approvals:	II 1 G - EEx ia IIC T6 à T3 LCIE 01 ATEX 6047 X
Housing:	anode-brighten aluminium
Cable input:	ISO M20
Terminal box:	aluminium
Ingress protection:	IP65

**CONNECTION DIAGRAM**



# MAGNETIC SWITCH DIRECTIVE 94/9/CE EXPLOSIVE ATMOSPHERES EXPLOSION-PROOF "d" VERSION

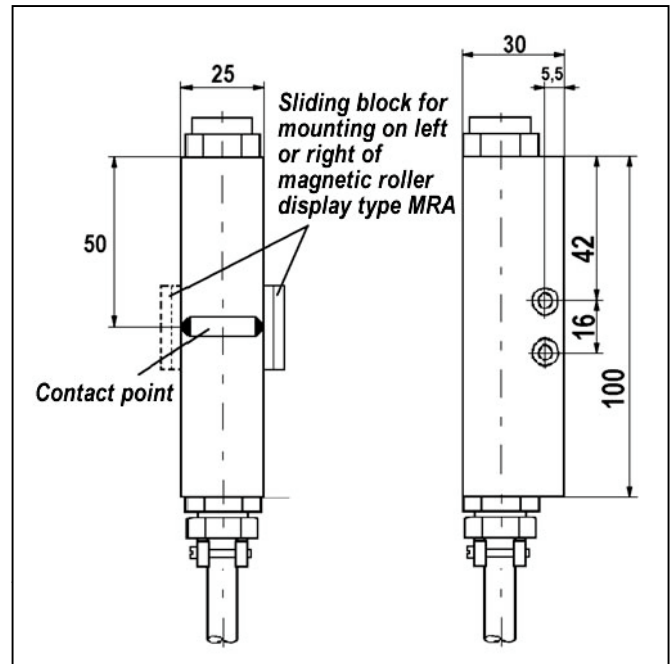
LCIE 01 ATEX 6047 X  $\text{Ex}$  - II 2G - EEx d IIC T6 à T3.  
TYPE : BGU-EExd-...

### OPERATING PRINCIPLE :

An annular magnet, float-integrated, through the medium of his magnetic field, operates a switch with flexible blades ( under protective atmosphere, also called REED) through the guide tube wall, allowing so no-voltage switching for a change-over function.

### APPLICATION:

Float representation in lowered position. Magnetic switches having a memory function, it is necessary to make a complete cycle (one rising and one sinking of the float for a good electrical positioning of the switch ).

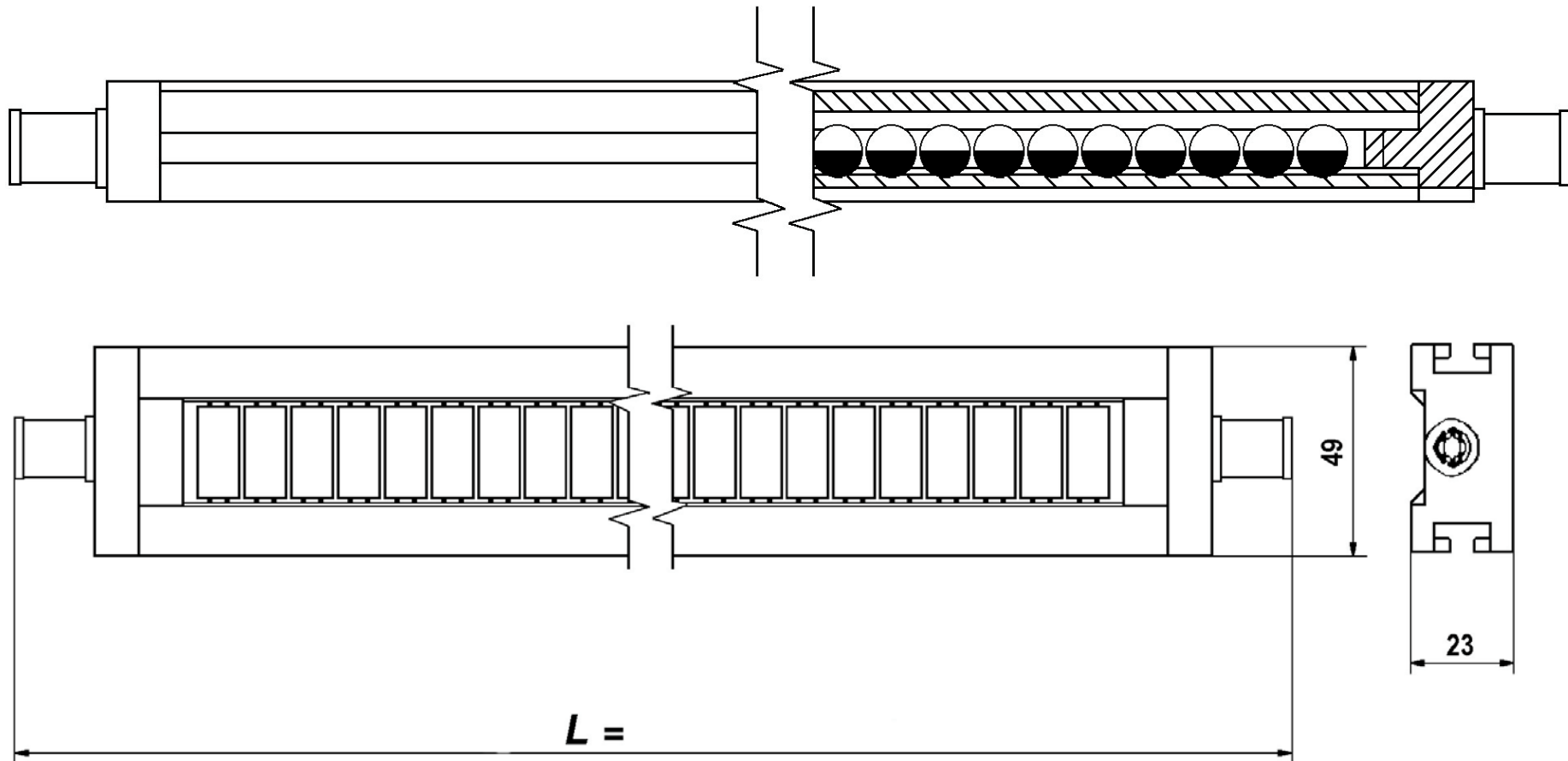


Contact:	Reed contact
Contact type:	1 SPDT
Contact behaviour:	bistable
Breaking power:	250 VAC ; 60 VA ; 1 A 250 VDC ; 30 W ; 0,5 A
Dangerous area approvals:	II 2 G - EEx d IIC T6 - T3 LCIE 01 ATEX 6047 X
Connection cable:	
BGU-EExd- PVC	grey PVC, 3 x 0,75 mm <sup>2</sup>
BGU-EExd- SIL	silicon, 3 x 0,75 mm <sup>2</sup>
Housing:	anode-brighten aluminium
Ingress Protection:	IP 68

### CONNECTION DIAGRAM

blue  
brown (common)  
black

# MAGNETIC ROLLER DISPLAY



**Housing:** aluminium section

**Rollers:** Crastin PBT

**Color :** red and white

**Max. temperature:** 200°C

**Cover:** Makrolon PC



10, avenue d'Alsace  
68702 CERNAY

TEL: +333.89.75.41.73  
FAX: +333.89.75.53.14

TYPE: **MRA**

✕BYP/04-5