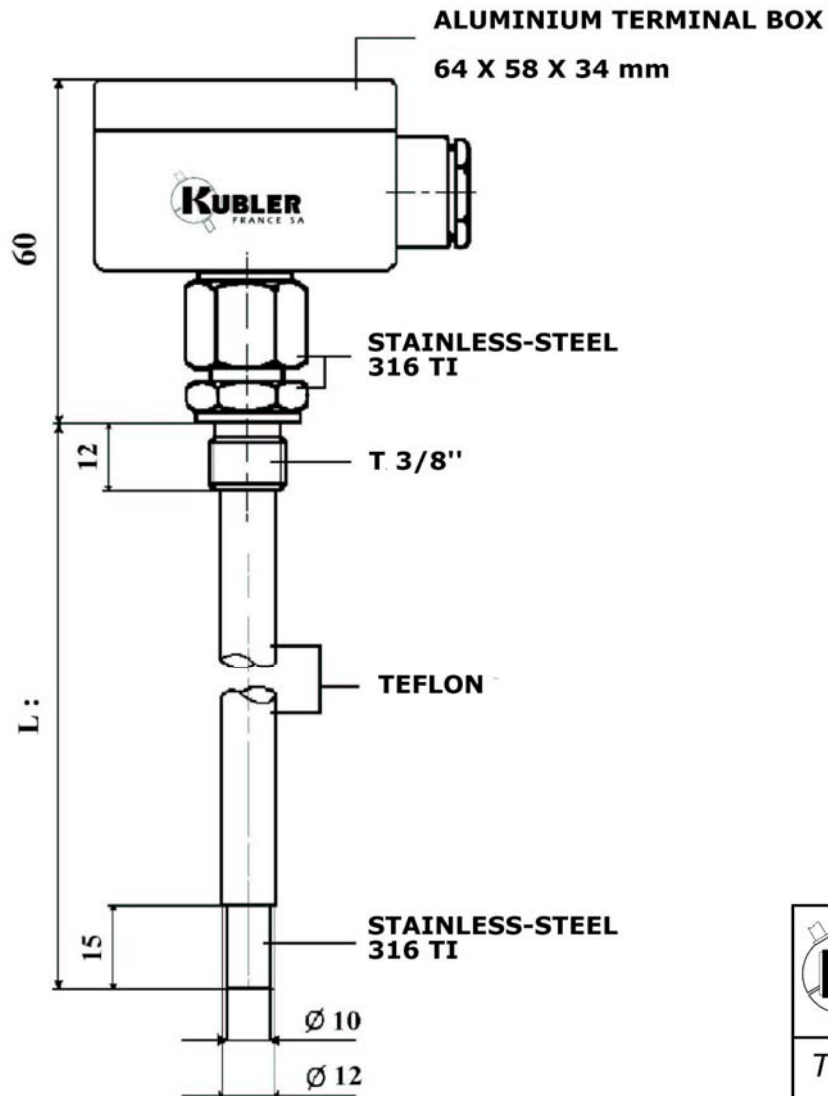


ROD ELECTRODE WITH TERMINAL BOX



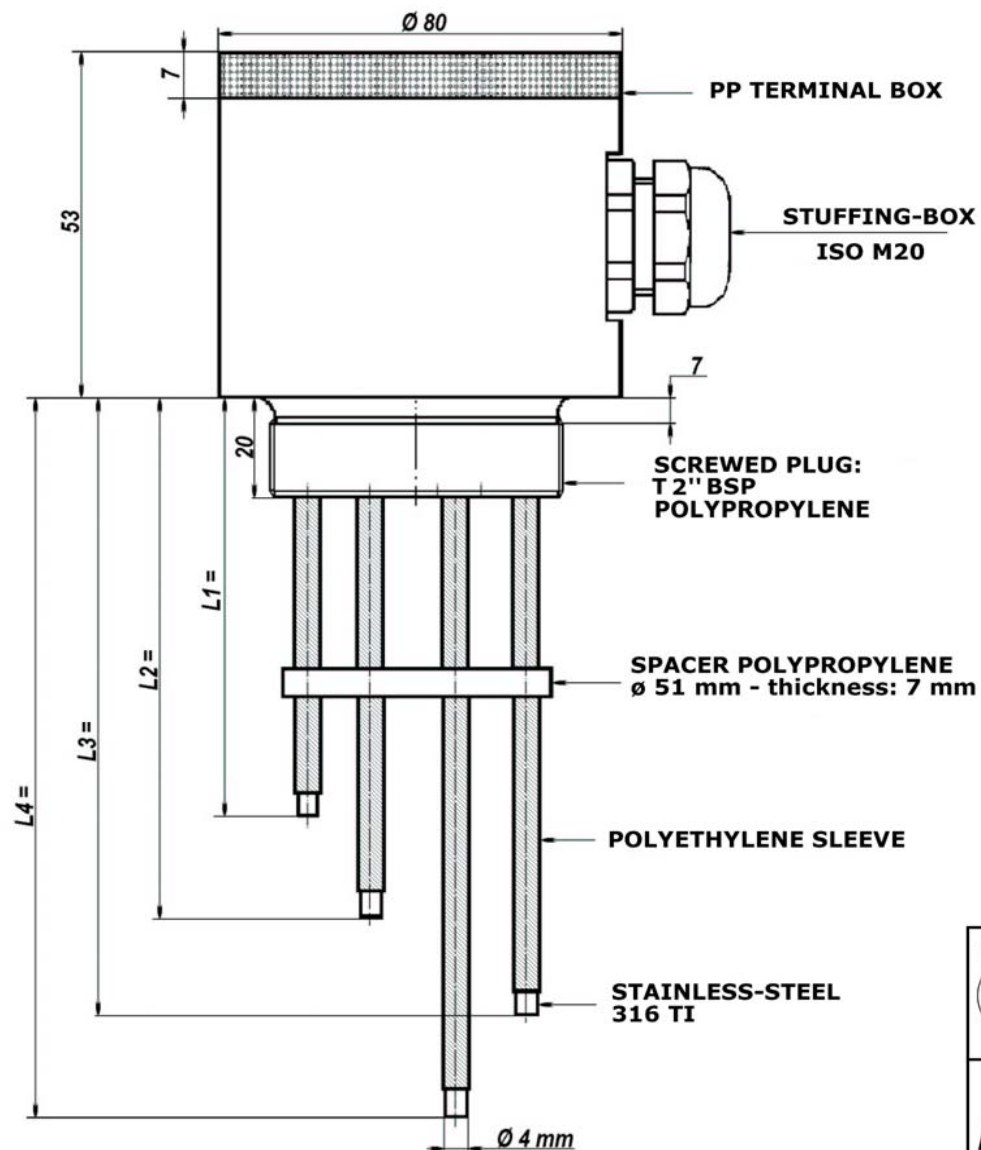
10, avenue d'Alsace
68702 CERNAY

TEL: +333.89.75.41.73
FAX: +333.89.75.53.14

TYPE: **AEV R3/8-L**


✕ELEC-1

MULTIPLE ROD ELECTRODE WITH POLYESTER TERMINAL BOX

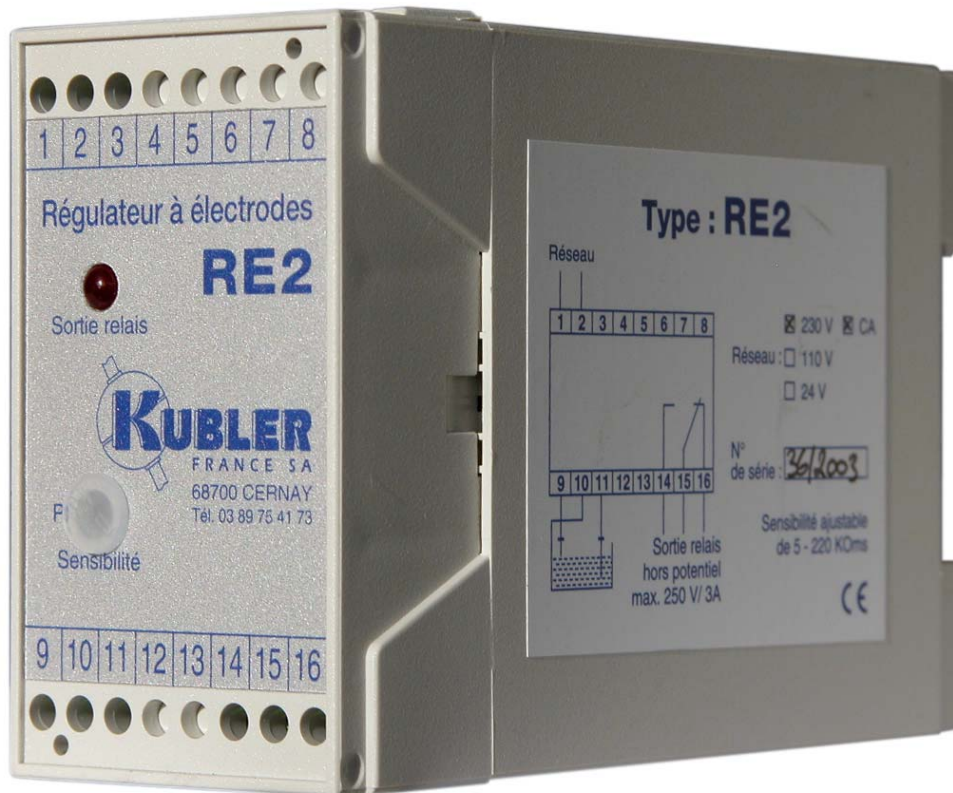


OPERATING DATA:

TEMPERATURE :	max.80°C
PRESSURE :	atmospheric
INGRESS PROTECTION :	IP65

	10, avenue d'Alsace 68702 CERNAY	TEL: +333.89.75.41.73 FAX: +333.89.75.53.14
	TYPE: ALP2-V4-L	
L1=	L2=	L3=
		L4=
		x ELEC-2

LEVEL SWITCH WITH ELECTRODES TYPE : RE2



OPERATING PRINCIPLE

The electrode relay type RE2 operates on the conductive measurement principle. The conductivity of the monitored medium is used in that system. The conductive medium is a part of the control circuit and have to be switched to one of the poles of the alternating current source. This linkage can be on earth if the tank's material is conductive. Otherwise, provide for an electrode directly linked with the detector.

ADVANTAGES

- Compact over-all dimensions, simple installation and application
- High accuracy – instantaneous reaction
- Long service life
- No electrolysis – alternating current control circuit
- Reliable process, independant of pressure
- Input sensitivity ajustement by potentiometer

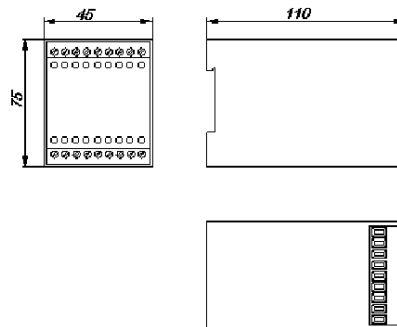
APPLICATIONS

- For any conductive medium
- Fecal or waste water level monitoring
 - Level monitoring for coffee machines, waterworks, drilling wells, dikes,...
 - Pipe break control

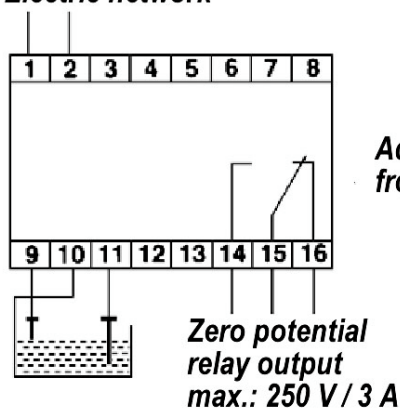
LEVEL SWITCH WITH ELECTODES TYPE : RE2

OPERATING DATA :

Power supply.....24, 115, 230 V AC
Power consumption.....~ 3VA
Control voltage.....low level according to VDE 0100
Output relay.....1 change-over switch
3A/230V/50-60Hz
Status signalling.....switched-on diode in the presence of fluid
Input sensitivity.....adjustable from 5 to 220 K Ω
Housing.....makrolon
Ingress Protection.....housing: IP40.....connector: IP20
Ambient temperature.....-20° à +60°C



Electric network



USING

TWO POSSIBLE WAYS OF APPLICATION:

***WITH ONE ELECTRODE + EARTH**

If the liquid level reaches the electrode, the control circuit is closed and the transistor amplifier operates the commutation of the output relay.

CONNECTION

Earth (or an electrode if the tank is not conductive) on the terminal 10, the electrode on the terminal 9.

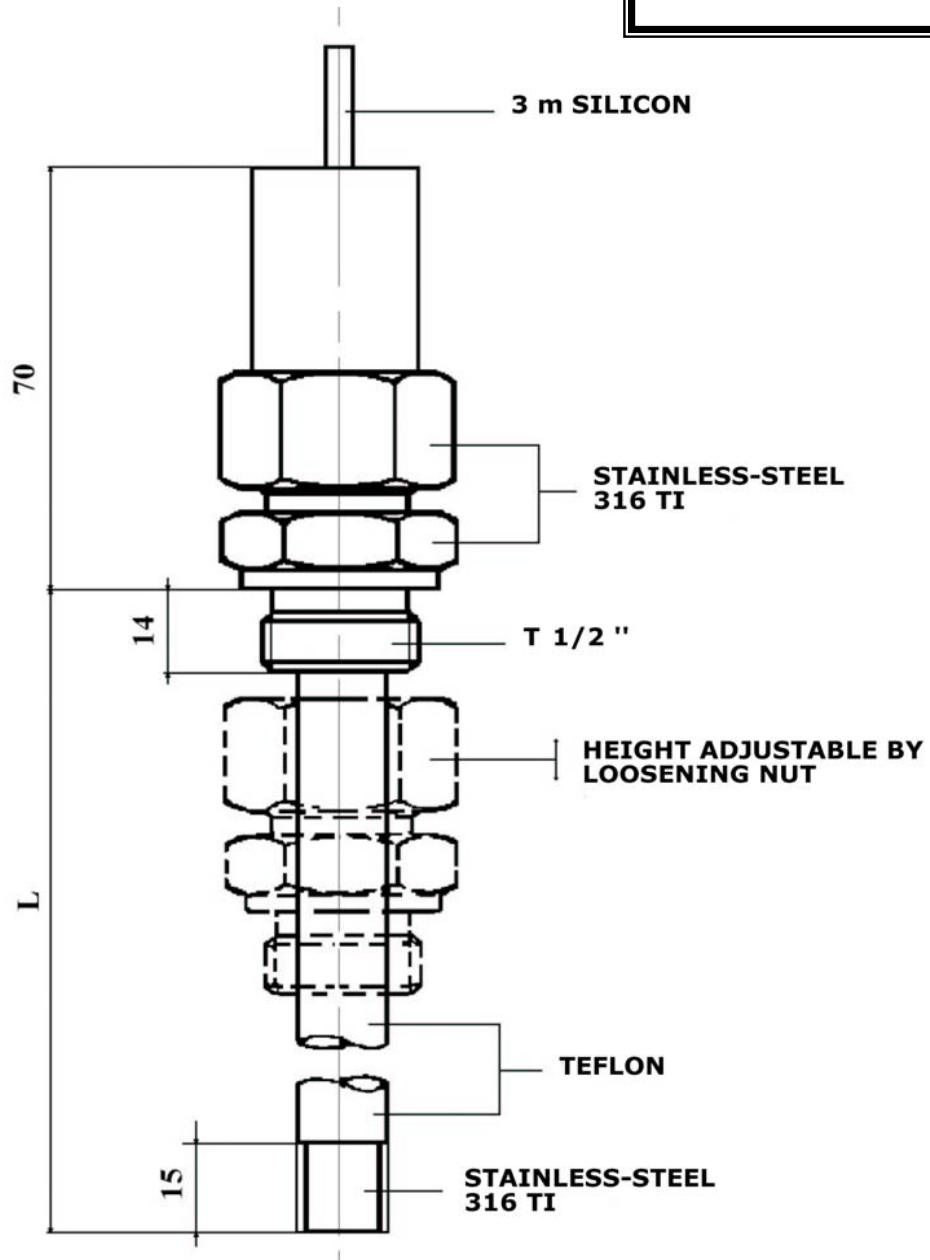
***WITH TWO ELECTRODES + EARTH**

If the liquid level reaches the upper electrode, the series contact of the output relay closes the locking circuit with the lower electrode, so that the relay only goes down when the liquid does not make contact with this electrode anymore.

CONNECTION

Earth (or an electrode if the tank is not conductive) on the terminal 10, the upper electrode on the terminal 9 and the lower electrode on the terminal 11.

ADJUSTABLE ROD ELECTRODE



10, avenue d'Alsace
68702 CERNAY

TEL: +333.89.75.41.73
FAX: +333.89.75.53.14

TYPE: **EVR1/2-L -3SIL-ADJUSTABLE**

✕ELEC-4