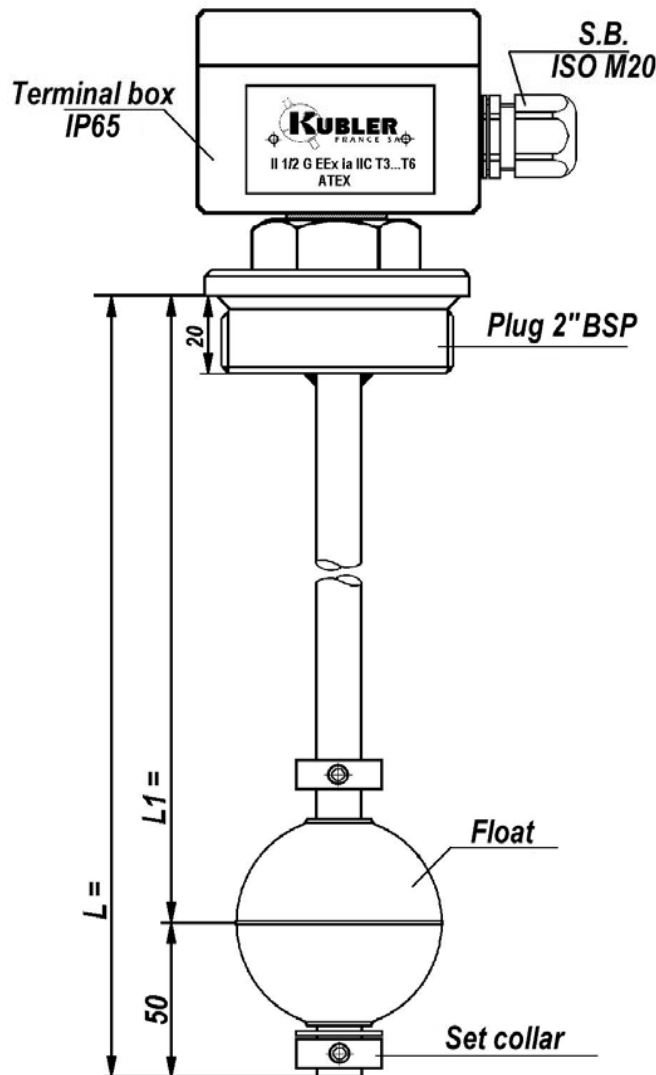


MAGNETIC FLOAT SWITCH

**EXPLOSIVE ATMOSPHERES / INHERENT SAFETY
ACCORDING TO DIRECTIVE 94/9/CE
KEMA 03 ATEX 1150 X II 1/2 G EEx ia IIC T3...T6
II 2 D T80°C IP6X**



TERMINAL BOX:

Type A105 aluminium IP65 dim. 80x75x57
output S.B. ISO M20

PROCESS CONNECTION:

Plug 2" BSP STAINLESS-STEEL 316 L

FLOAT:

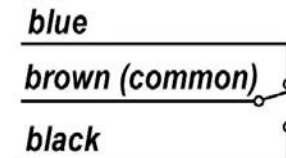
STAINLESS-STEEL 316 TI diameter 52 mm type V52A

GUIDE TUBE:

STAINLESS-STEEL 316 L diameter 12 x 1 mm

*Only connect to an inherent safety circuit
certified max. Ii=100mA et Ui=36V*

CONNECTION DIAGRAM

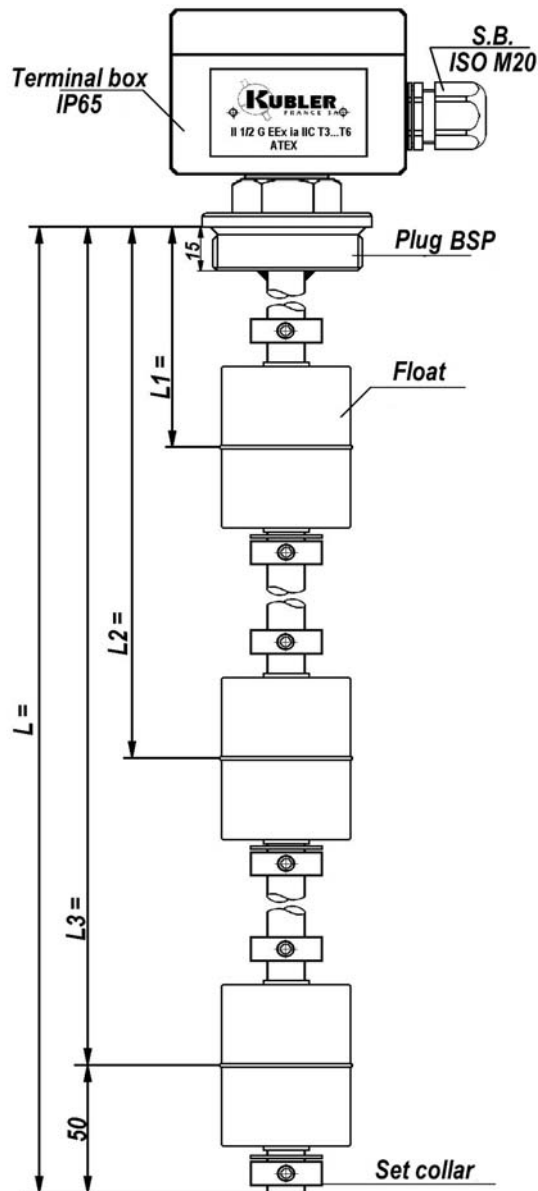


Float representation in lowered position,
contact at starting position

	10, avenue d'Alsace 68702 CERNAY	TEL: +333.89.75.41.73 FAX: +333.89.75.53.14
	TYPE: 60-ARV2-VU-L /12-V52A-EX L1 =	

✕FLSW/07-1

MAGNETIC FLOAT SWITCH



**EXPLOSIVE ATMOSPHERES / INHERENT SAFETY
ACCORDING TO DIRECTIVE 94/9/CE
KEMA 03 ATEX 1150 X II 1/2 G EEx ia IIC T3...T6
II 2 D T80°C IP6X**

TERMINAL BOX:

Type A105 aluminium IP65 dim. 80x75x57
output S.B. ISO M20

PROCESS CONNECTION:

Plug 1,5" BSP STAINLESS-STEEL 316 L

FLOAT:

STAINLESS-STEEL 316 TI diameter 44 mm type V44A

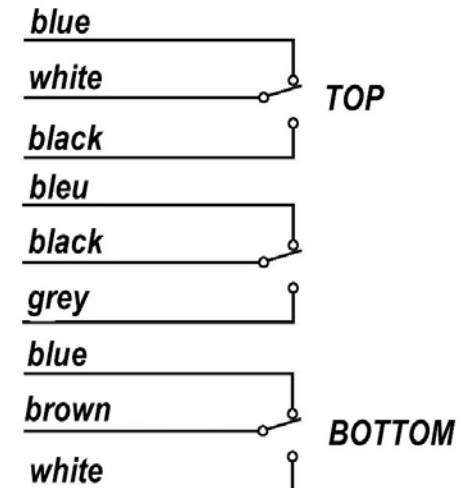
GUIDE TUBE:

STAINLESS-STEEL 316 L diameter 12 x 1 mm

**Only connect to an inherent safety circuit
certified max. $I_i=100mA$ et $U_i=36V$**

Float representation in lowered position,
contact at starting position

CONNECTION DIAGRAM

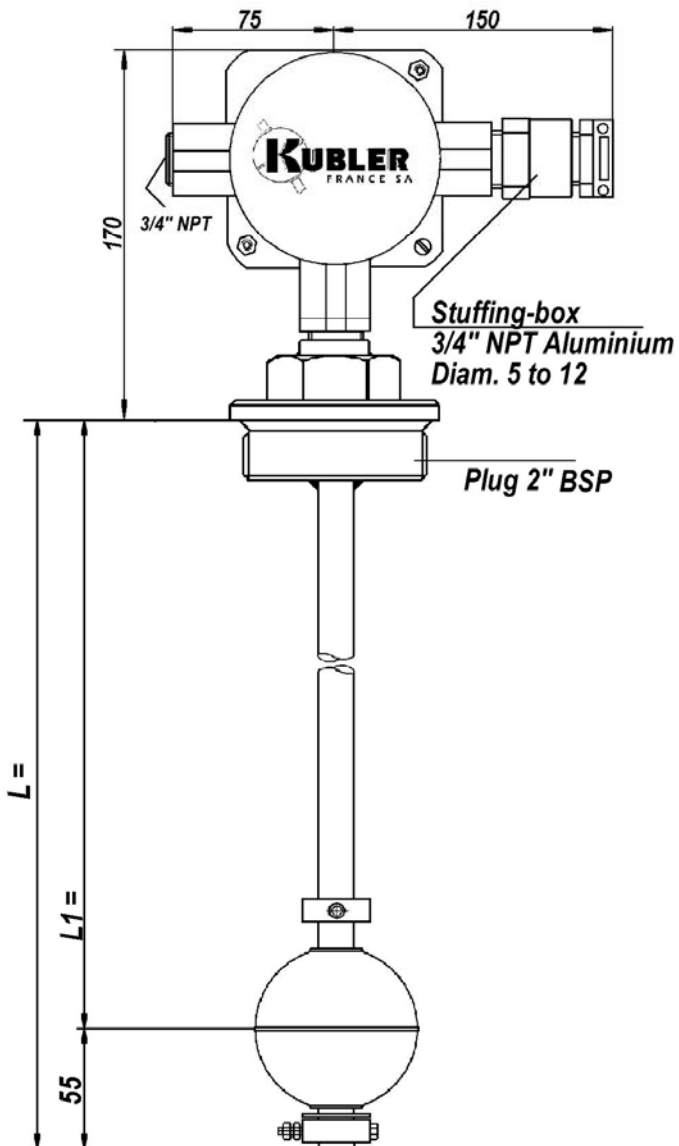


	10, avenue d'Alsace 68702 CERNAY	TEL: +333.89.75.41.73 FAX: +333.89.75.53.14
	TYPE: 60-ARV1,5-VUUU-L L1=	/ 12-V44A-EX L2=

FLSW/07-4

MAGNETIC FLOAT SWITCH

**EXPLOSIVE ATMOSPHERES
ACCORDING TO DIRECTIVE 94/9/CE
LCIE 03 ATEX 6154 X II 2D GD EEX d IIC T6...T4
VERSION: AL-ADF.../...**



TERMINAL BOX:

ADF certified aluminium

PROCESS CONNECTION:

Plug 2" BSP STAINLESS-STEEL 316 L

FLOAT:

STAINLESS-STEEL 316 TI diameter 52 mm type SV

GUIDE TUBE:

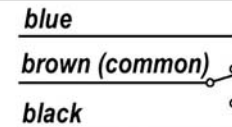
STAINLESS-STEEL 316 L diameter 12 x 1 mm

SWITCH RATING:

1 change-over contact

Breaking power: 80VA / 230V AC / 1A

CONNECTION DIAGRAM



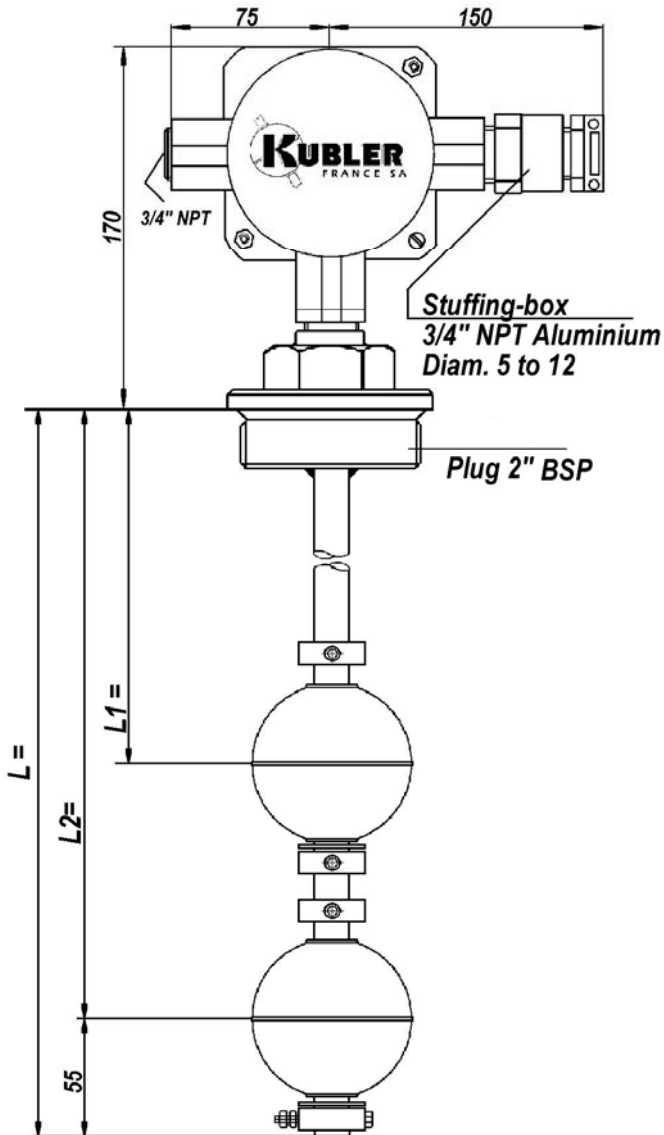
Float representation in lowered position,
contact at starting position

	10, avenue d'Alsace 68702 CERNAY	TEL: +333.89.75.41.73 FAX: +333.89.75.53.14
	TYPE: ALV2 - VU - L - SV - C30EX L1=	

✕FLSW/08-1

MAGNETIC FLOAT SWITCH

**EXPLOSIVE ATMOSPHERES
ACCORDING TO DIRECTIVE 94/9/CE
LCIE 03 ATEX 6154 X II 2D GD EEX d IIC T6...T4
VERSION: AL-ADF.../...**



TERMINAL BOX:

ADF certified aluminium

PROCESS CONNECTION:

Plug 2" BSP STAINLESS-STEEL 316 L

FLOAT:

STAINLESS-STEEL 316 TI diameter 52 mm type SV

GUIDE TUBE:

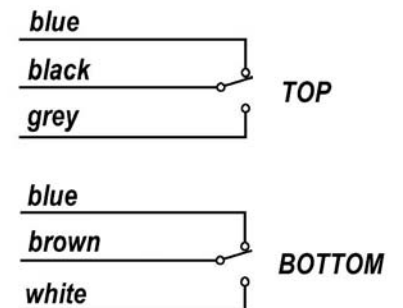
STAINLESS-STEEL 316 L diameter 12 x 1 mm

SWITCH RATING:

2 change-over contacts

Breaking power: 80VA / 230V AC / 1A

CONNECTION DIAGRAM



Float representation in lowered position,
contact at starting position

	10, avenue d'Alsace 68702 CERNAY	TEL: +333.89.75.41.73 FAX: +333.89.75.53.14
	TYPE: ALV2 - VUU - L - SV - C30EX L1= L2=	
		✕FLSW/08-2

MAGNETIC FLOAT SWITCH

**EXPLOSIVE ATMOSPHERES
ACCORDING TO DIRECTIVE 94/9/CE
LCIE 03 ATEX 6154 X II 2D GD EEX d IIC T6...T4
VERSION: AL-ADF.../...**

CONNECTION DIAGRAM



TERMINAL BOX:

Terminal box + Stuffing-box : ADF certified aluminium
Anticorrosion treatment and climate protection

PROCESS CONNECTION:

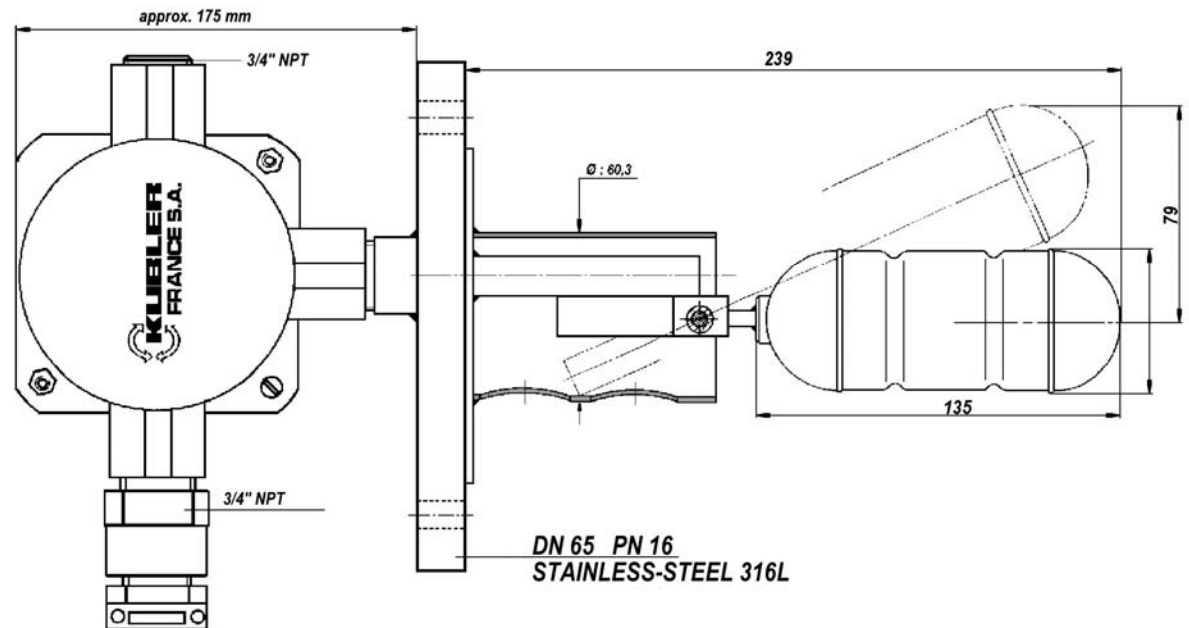
Flange DN65 PN16 STAINLESS-STEEL 316L

FLOAT:

STAINLESS-STEEL 316 TI diameter 52 mm,
length 135 mm

SWITCH RATING:

1 SPDT contact
Breaking power: 40VA / 230V AC / 1A



DN	PN	∅ flange	∅ drill.	∅ holes	Nber	Screw	Thick.
65	16	185	145	18	4	M16	20



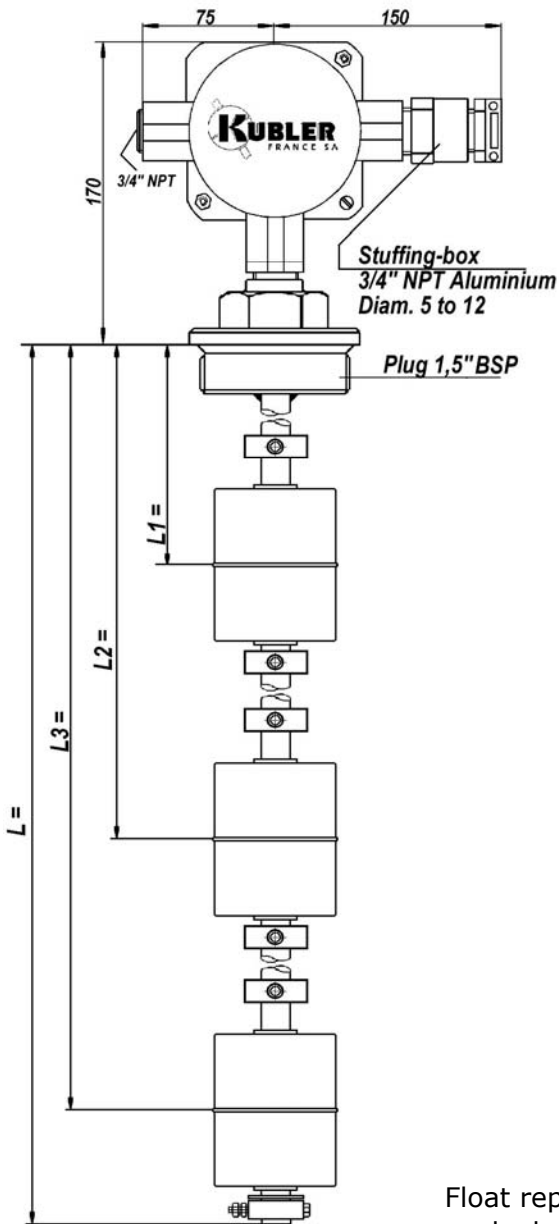
10, avenue d'Alsace
68702 CERNAY

TEL: +333.89.75.41.73
FAX: +333.89.75.53.14

TYPE: **HI - 1665 - 100 - C30EX**

✕FLSW/08-3

MAGNETIC FLOAT SWITCH



EXPLOSIVE ATMOSPHERES
ACCORDING TO DIRECTIVE 94/9/CE
LCIE 03 ATEX 6154 X II 2D GD EEX d IIC T6...T4
VERSION: AL-ADF.../...

TERMINAL BOX:

ADF certified aluminium

PROCESS CONNECTION:

Plug 1,5" BSP STAINLESS-STEEL 316 L

FLOAT:

STAINLESS-STEEL 316 TI diameter 44 mm type SVK

GUIDE TUBE:

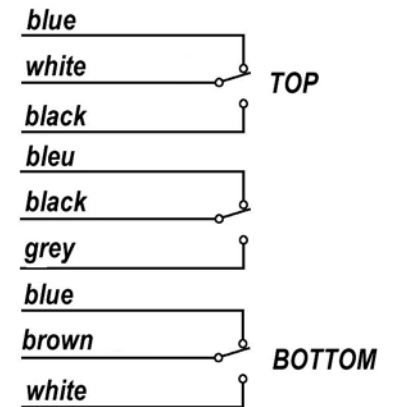
STAINLESS-STEEL 316 L diameter 12 x 1 mm

SWITCH RATING:

3 change-over contacts

Breaking power: 80VA / 230V AC / 1A

CONNECTION DIAGRAM



Float representation in lowered position,
 contact at starting position

	10, avenue d'Alsace 68702 CERNAY	TEL: +333.89.75.41.73 FAX: +333.89.75.53.14
	TYPE: ALV1,5 - VUUU - L L1=	- SVK - C30EX L2=

×FLSW/08-4