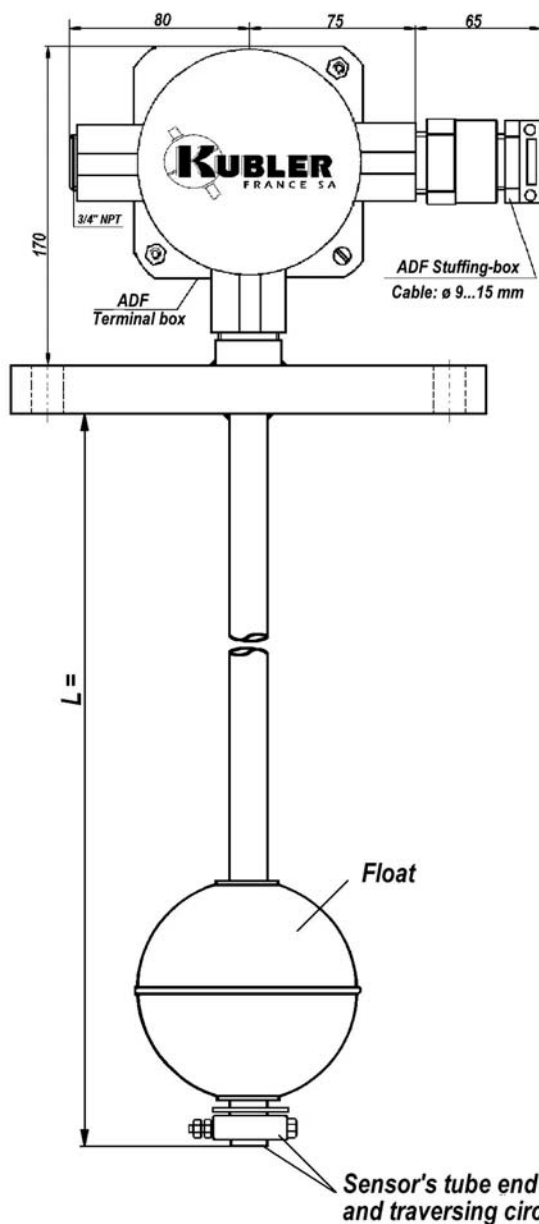


MAGNETIC LEVEL SENSOR

EXPLOSIVE ATMOSPHERES ACCORDING TO DIRECTIVE 94/9/CE

LCIE 03 ATEX 6156 X

SERIAL : AF/ADF... II 2 GD EEX d IIC T6...T4



TERMINAL BOX:

Anticorrosion treatment and climate protection
Ingress Protection IP 66

FLOAT:

STAINLESS-STEEL 316 TI diameter 52 mm type SV

RESOLUTION:

Contact separation: 15 mm

GUIDE TUBE:

STAINLESS-STEEL 316 L diameter 12 x 1 mm

PROCESS CONNECTION:

Flange STAINLESS-STEEL 316 L

	DN	PN	∅ flange	∅ drill.	∅ holes	nber	screw	thick.
	65	16	185	145	18	4	M16	20
	80	16	200	160	18	8	M16	20
	100	16	220	180	18	8	M16	20
	125	16	250	210	18	8	M16	20

	10, avenue d'Alsace 68702 CERNAY	TEL: +333.89.75.41.73 FAX: +333.89.75.53.14
	TYPE: AFVDN PN -VK-L -SV-C30EX	

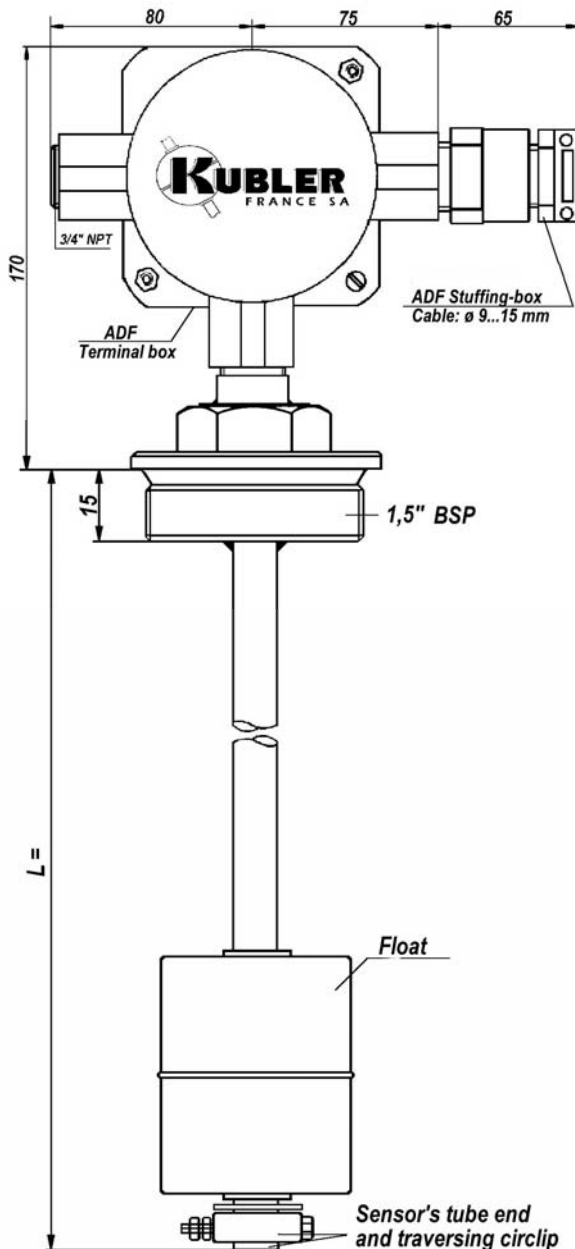
✕LEVSENS/03-1

MAGNETIC LEVEL SENSOR

EXPLOSIVE ATMOSPHERES ACCORDING TO DIRECTIVE 94/9/CE

LCIE 03 ATEX 6156 X

VERSION : AF/ADF... II 2 GD EEX d IIC T6...T4



TERMINAL BOX:

Anticorrosion treatment and climate protection
Ingress Protection IP 66

PROCESS CONNECTION:

Plug 2" G/BSP STAINLESS-STEEL 316 L

FLOAT:

STAINLESS-STEEL 316 TI diameter 44 mm type SVK

RESOLUTION:

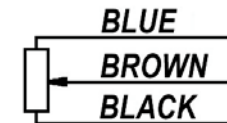
Contact separation : 15 mm standard
High temperature




GUIDE TUBE:

STAINLESS-STEEL 316 L diameter 12 x 1 mm

CONNECTION DIAGRAM:

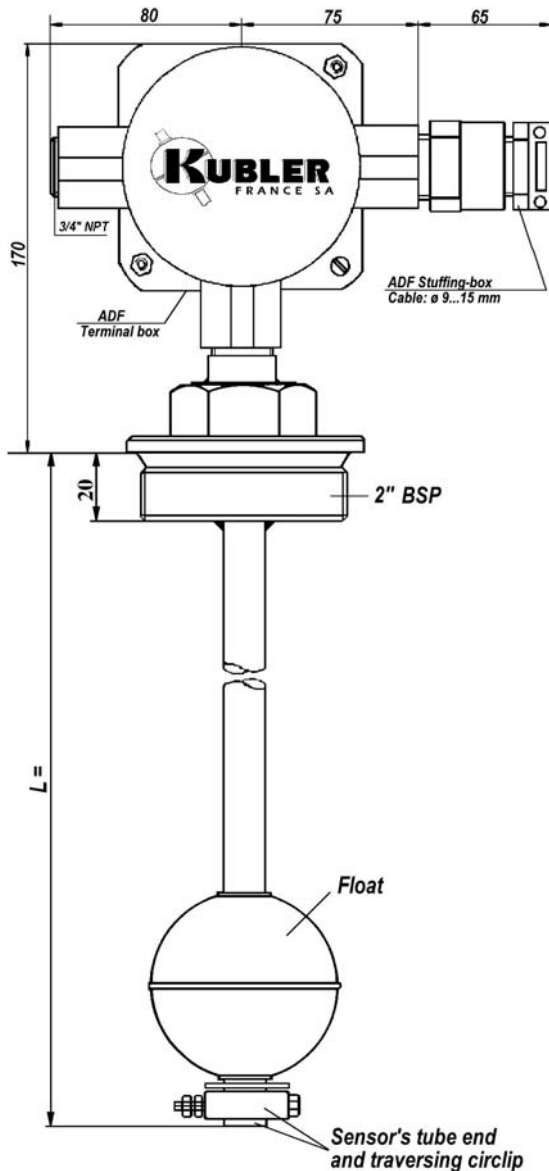


	10, avenue d'Alsace 68702 CERNAY	TEL: +333.89.75.41.73 FAX: +333.89.75.53.14
TYPE: AEV1,5 - VK - L		- SV - C30EX
✕LEVSENS/03-2		

MAGNETIC LEVEL SENSOR

**EXPLOSIVE ATMOSPHERES ACCORDING TO DIRECTIVE 94/9/CE
LCIE 03 ATEX 6156 X**

SERIAL : AF/ADF... II 2 GD EEX d IIC T6...T4



TERMINAL BOX:

Anticorrosion treatment and climate protection
Ingress Protection IP 66

PROCESS CONNECTION:

Plug 2" G/BSP STAINLESS-STEEL 316 L

FLOAT:

STAINLESS-STEEL 316 TI diameter 52 mm type SV

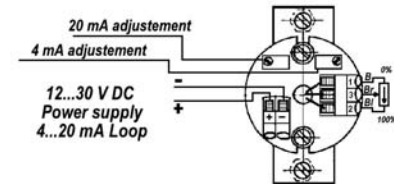
RESOLUTION:

Contact separation : 15 mm standard
High temperature

GUIDE TUBE:

STAINLESS-STEEL 316 L diameter 12 x 1 mm

HEAD MOUNTED 4...20 mA SIGNAL



Max. Peak Load: 600 ohms



10, avenue d'Alsace
68702 CERNAY

TEL: +333.89.75.41.73
FAX: +333.89.75.53.14

TYPE: **AEV2-VK15- L**

-SV-C30EX-R/I-4.20-2C

✕LEVSENS/03-3