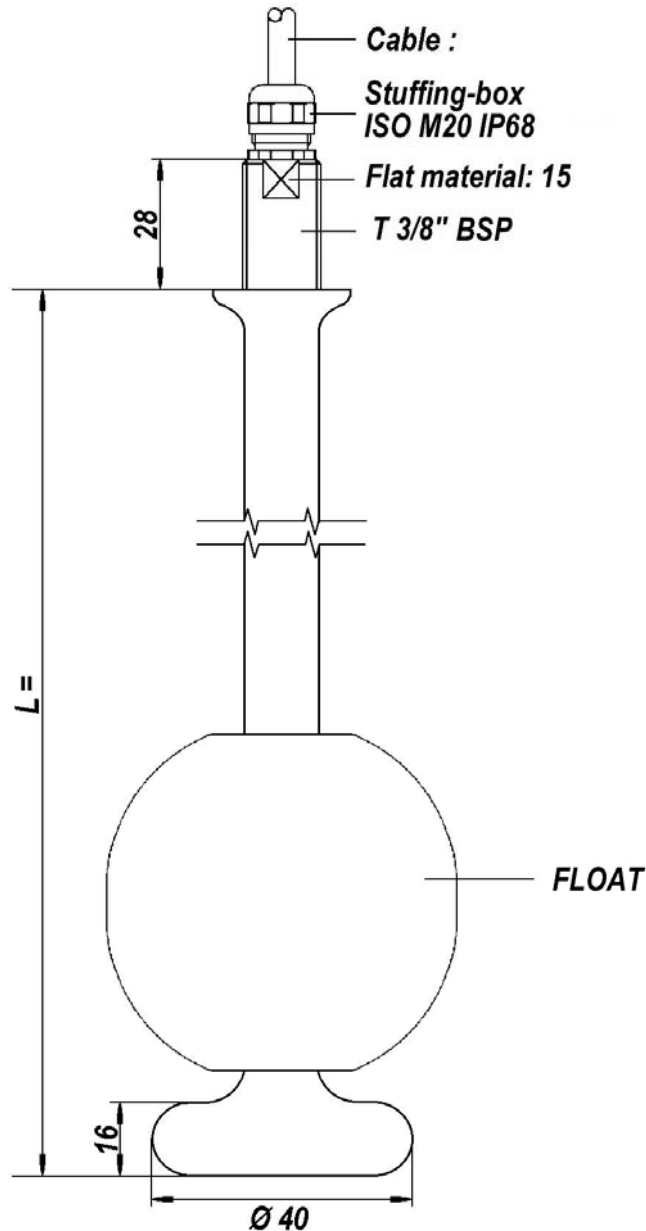


MAGNETIC LEVEL SENSOR



Cable :

Stuffing-box
ISO M20 IP68

Flat material: 15

T 3/8" BSP

PROCESS CONNECTION:

Thread 3/8" BSP STAINLESS-STEEL 316 L

FLOAT:

STAINLESS-STEEL 316 TI diameter 80 mm type 3ASVB 80/23

RESOLUTION:

Contact separation : 5 mm high temperature

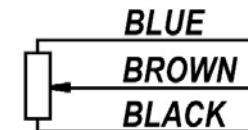
15 mm high temperature

GUIDE TUBE:

STAINLESS-STEEL 316 L diameter 14 x 1 mm

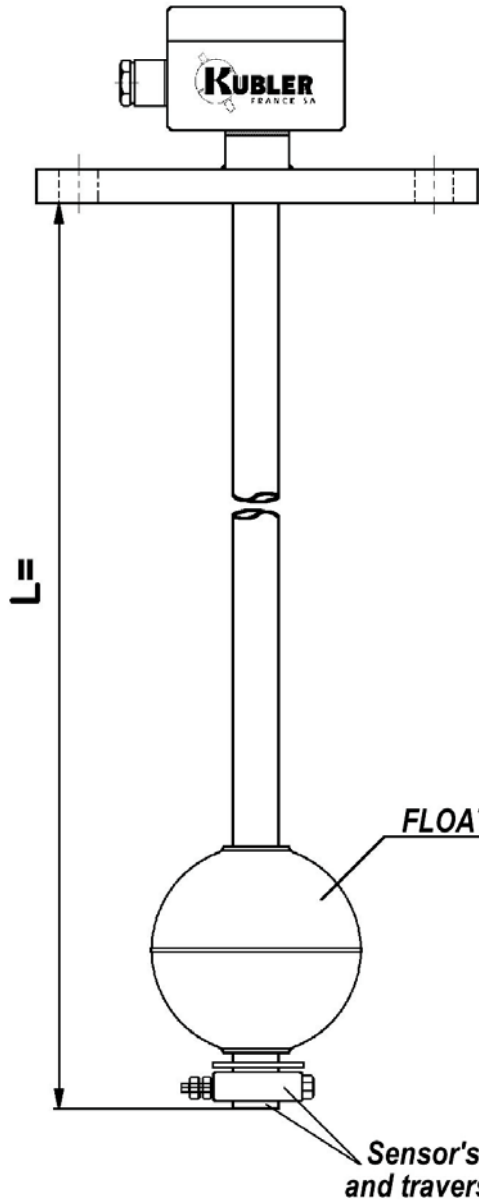
Material with polish, electropolish
Ra < 0,6

CONNECTION DIAGRAM:



	10, avenue d'Alsace 68702 CERNAY	TEL: +333.89.75.41.73 FAX: +333.89.75.53.14
	TYPE: EVR3/8 - VK - L - 3ASVB80/23	
		✕LEVSENS/01-1

MAGNETIC LEVEL SENSOR



TERMINAL BOX:

Type A105 aluminium IP 65 dim. 80x75x56 output S.B. ISO-M20

Type P305 polyester IP 65 dim. 80x75x56 output S.B. ISO-M20

FLOAT:

STAINLESS-STEEL 316 L diameter 52 mm type SV

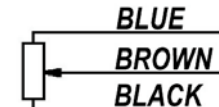
62 mm type SVA

80 mm type SVB78/23

82 mm type SVB

98 mm type SVC

CONNECTION DIAGRAM:



RESOLUTION:

Contact separation: 5 mm

10 mm

15 mm

20 mm

PROCESS CONNECTION:

Flange stainless-steel 316 L

	DN	PN	∅ flange	∅ drill.	∅ holes	nber	screw	thick.
	65	16	185	145	18	4	M16	20
	80	16	200	160	18	8	M16	20
	100	16	220	180	18	8	M16	20
	125	16	250	210	18	8	M16	20

GUIDE TUBE:

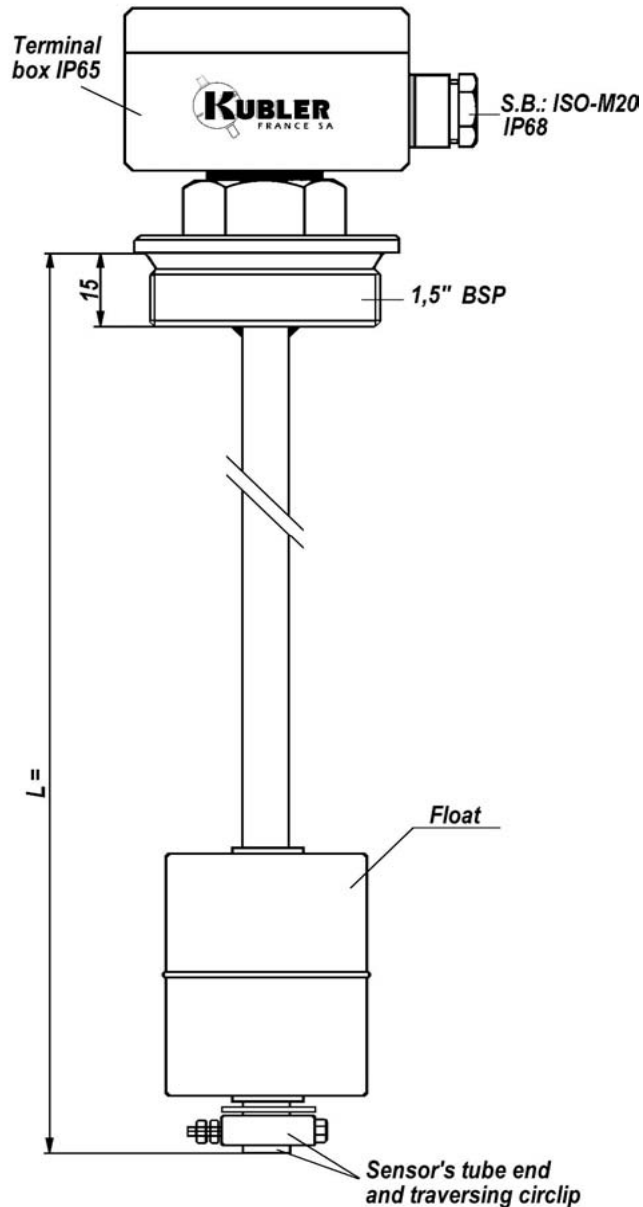
STAINLESS-STEEL 316 L diameter 20 x 1,5 mm

12 x 0,5 mm

12 x 1 mm

	10, avenue d'Alsace	TEL: +333.89.75.41.73
	68702 CERNAY	FAX: +333.89.75.53.14
TYPE: AFV DN PN - VK - L - SV L=		
<input type="checkbox"/> LEVSENS/01-3		

MAGNETIC LEVEL SENSOR



PROCESS CONNECTION:

Plug 1,5" BSP STAINLESS-STEEL 316 L

TERMINAL BOX:

Type A105 aluminium IP 65 dim. 80x75x56

Type P305 polyester IP 65 dim. 80x75x56

FLOAT:

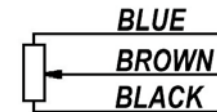
STAINLESS-STEEL 316 TI diameter 44 mm type SVK

RESOLUTION:

Contact separation : 15 mm standard
High temperature

5 mm standard
High temperature

CONNECTION DIAGRAM:



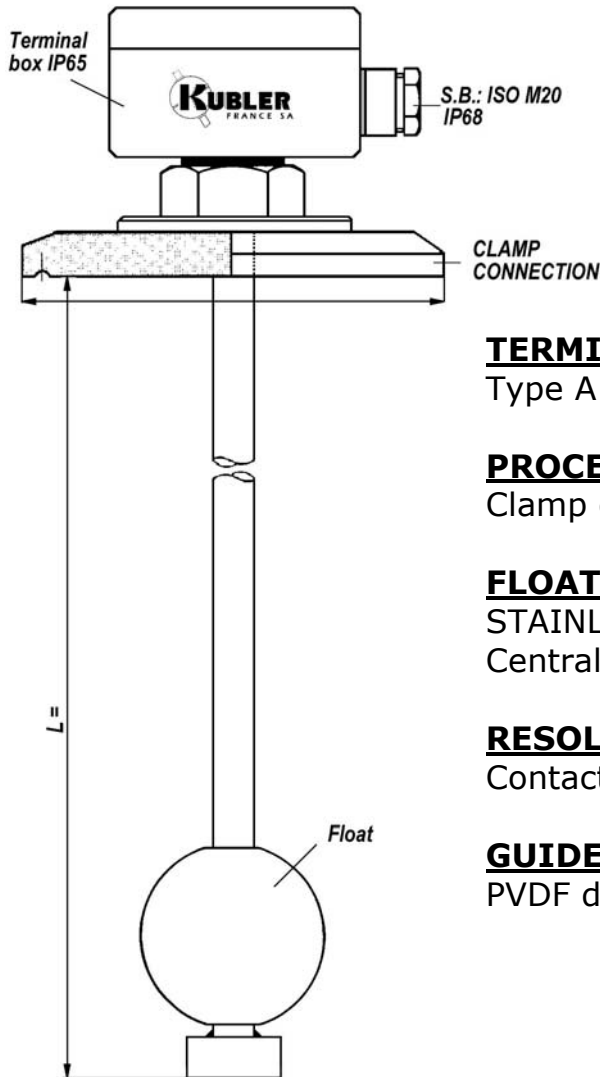
GUIDE TUBE:

STAINLESS-STEEL 316 L diameter 14 x 1 mm
12 x 1 mm
12 x 0,5 mm

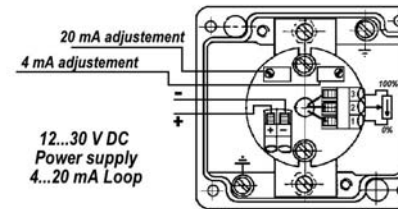
	10, avenue d'Alsace 68702 CERNAY	TEL: +333.89.75.41.73 FAX: +333.89.75.53.14
	TYPE: AEV1,5 - VK - L - SVK L=	

✕LEVSENS/01-4

MAGNETIC LEVEL SENSOR SEMIFLEXIBLE VERSION



HEAD MOUNTED 4...20 mA SIGNAL



Power supply : 24 V DC
Loop : 4...20 mA
Max. load peak : 600 Ω

TERMINAL BOX:

Type A105 aluminium IP 65 dim. 80x75x56 output S.B. 11

PROCESS CONNECTION:

Clamp connection STAINLESS-STEEL

FLOAT:

STAINLESS-STEEL 316 L diameter 80 mm type 3ASVB80/23
 Central hole : \varnothing 23 mm

RESOLUTION:

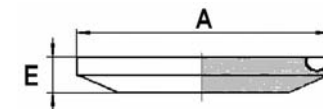
Contacts separation : 10 mm

GUIDE TUBE:

PVDF diameter 20 x 1,9 mm

CLAMP CONNECTION DETAILS:

	DN	\varnothing	A	E
	1 "	25	50,5	6,3
	1,5 "	38	50,5	6,3
	2 "	51	64	6,3
	2,5 "	63,5	77,5	6,3
	3 "	76	91	6,3
	4 "	104	119	7,9



 KUBLER FRANCE SA	10, avenue d'Alsace 68702 CERNAY	TEL: +333.89.75.41.73 FAX: +333.89.75.53.14
	TYPE:	

VS-AFSF TC-SFK10-L -3SSVB80/23-R/I-4.20-2C xLEVSENS/01-5

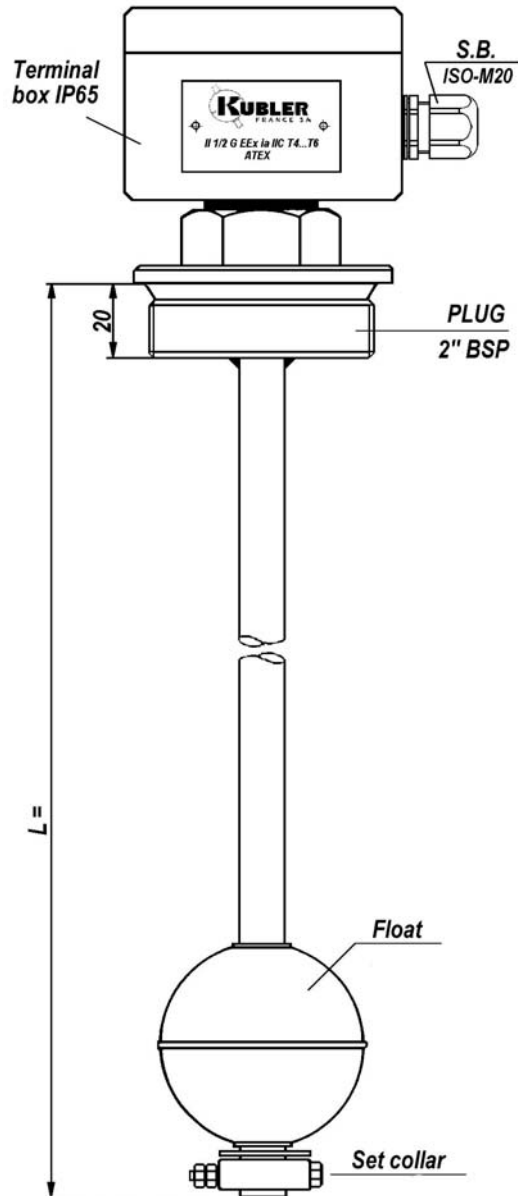
MAGNETIC LEVEL SENSOR

EXPLOSIVE ATMOSPHERES / INHERENT SAFETY

ACCORDING TO DIRECTIVE 94/9/CE

KEMA 03 ATEX 1149 X

SERIAL : NMG 125... II 1/2 GD EEX ia IIC T4...T6



PROCESS CONNECTION:

Plug 2" G/BSP STAINLESS-STEEL 316 L

TERMINAL BOX:

Type A105 aluminium IP 65 dim. 80x75x56
Ingress Protection IP 66

FLOAT:

STAINLESS-STEEL 316 TI diameter 52 mm type V52R

RESOLUTION:

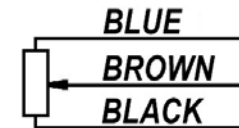
Contact separation : 15 mm standard

High temperature

GUIDE TUBE:

STAINLESS-STEEL 316 L diameter 12 x 1 mm

CONNECTION DIAGRAM:



	10, avenue d'Alsace 68702 CERNAY	TEL: +333.89.75.41.73 FAX: +333.89.75.53.14
	TYPE: NMG125-A-RVG2-VK15-L /12-V52R	
✕LEVSENS/02-1		

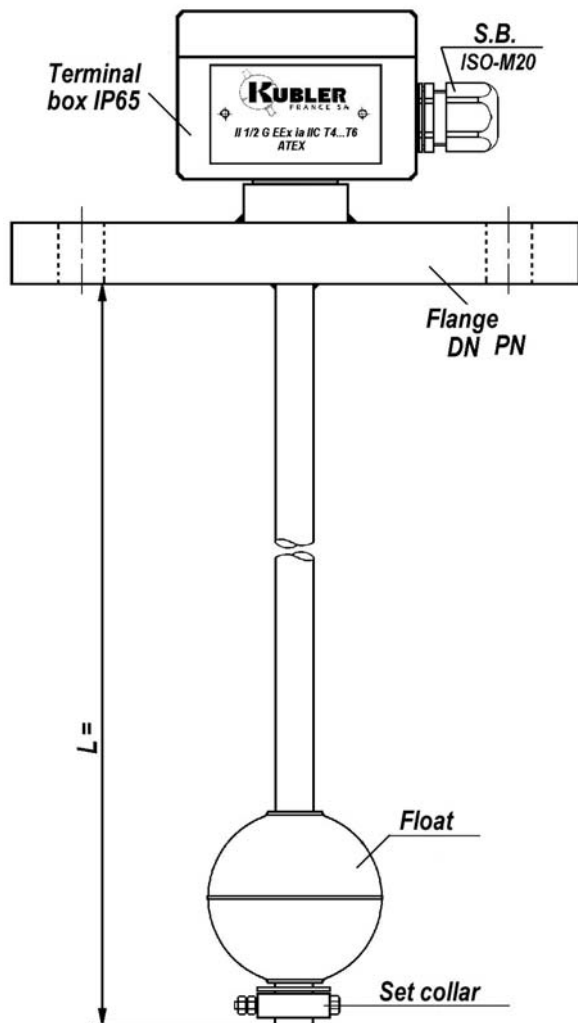
MAGNETIC LEVEL SENSOR

EXPLOSIVE ATMOSPHERES / INHERENT SAFETY

ACCORDING TO DIRECTIVE 94/9/CE

KEMA 03 ATEX 1149 X

SERIAL : NMG 125... II 1/2 GD EEX ia IIC T4...T6



TERMINAL BOX:

Type A105 aluminium IP 65 dim. 80x75x56

Type P305 polyester IP 65 dim. 80x75x56



FLOAT:

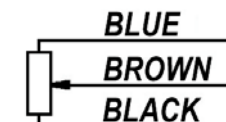
STAINLESS-STEEL 316 TI diameter 52 mm type V52R

PROCESS CONNECTION:

Flange STAINLESS-STEEL 316 L

	DN	PN	∅ flange	∅ drill.	∅ holes	nber	screw	thick.
	65	16	185	145	18	4	M16	20
	80	16	200	160	18	8	M16	20
	100	16	220	180	18	8	M16	20
	125	16	250	210	18	8	M16	20

CONNECTION DIAGRAM:



RESOLUTION:

Contact separation :

15 mm standard

High temperature



GUIDE TUBE:

STAINLESS-STEEL 316 L diameter 12 x 1 mm



10, avenue d'Alsace
68702 CERNAY

TEL: +333.89.75.41.73
FAX: +333.89.75.53.14

TYPE:

NMG125-A-AF/DN PN -VK15-L

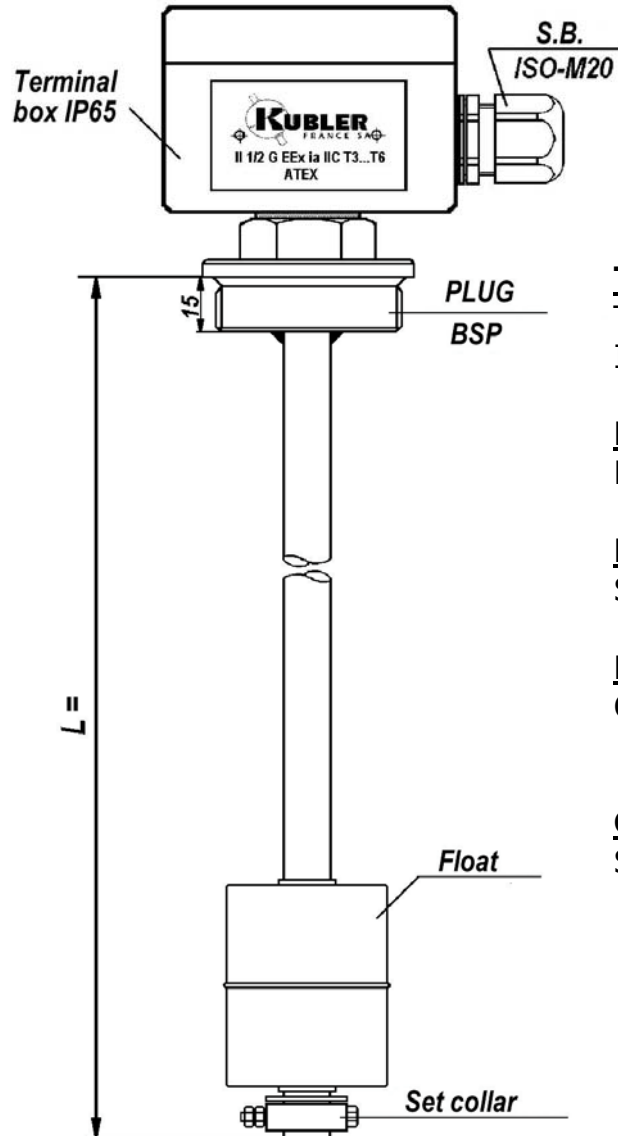
×LEVSENS/02-2

/12-V44R

MAGNETIC LEVEL SENSOR

EXPLOSIVE ATMOSPHERES / INHERENT SAFETY
 ACCORDING TO DIRECTIVE 94/9/CE

KEMA 03 ATEX 1149 X
SERIAL : NMG 125... II 1/2 GD EEX ia IIC T4...T6



TERMINAL BOX:

Type A105 aluminium IP 65 dim. 80x75x56
 Ingress Protection IP 66

PROCESS CONNECTION:

Plug 2" G/BSP STAINLESS-STEEL 316 L

FLOAT:

STAINLESS-STEEL 316 TI diameter 44 mm type V44R

RESOLUTION:

Contact separation : 15 mm standard High temperature

GUIDE TUBE:

STAINLESS-STEEL 316 L diameter 12 x 1 mm

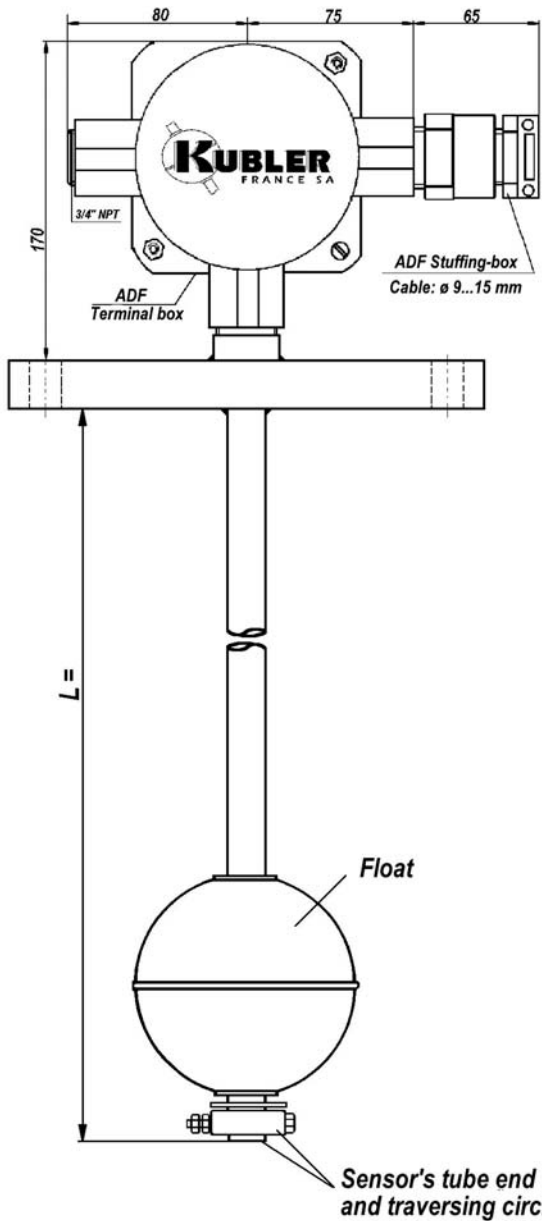
CONNECTION DIAGRAM:



	10, avenue d'Alsace 68702 CERNAY	TEL: +333.89.75.41.73 FAX: +333.89.75.53.14
	TYPE: NMG125-A-RVG1,5-VK15-L /12-V44R	
✕LEVSENS/02-3		

MAGNETIC LEVEL SENSOR

EXPLOSIVE ATMOSPHERES ACCORDING TO DIRECTIVE 94/9/CE
LCIE 03 ATEX 6156 X
SERIAL : AF/ADF... II 2 GD EEX d IIC T6...T4



TERMINAL BOX:

Anticorrosion treatment and climate protection
 Ingress Protection IP 66

FLOAT:

STAINLESS-STEEL 316 TI diameter 52 mm type SV

RESOLUTION:

Contact separation: 15 mm

GUIDE TUBE:

STAINLESS-STEEL 316 L diameter 12 x 1 mm

PROCESS CONNECTION:

Flange STAINLESS-STEEL 316 L

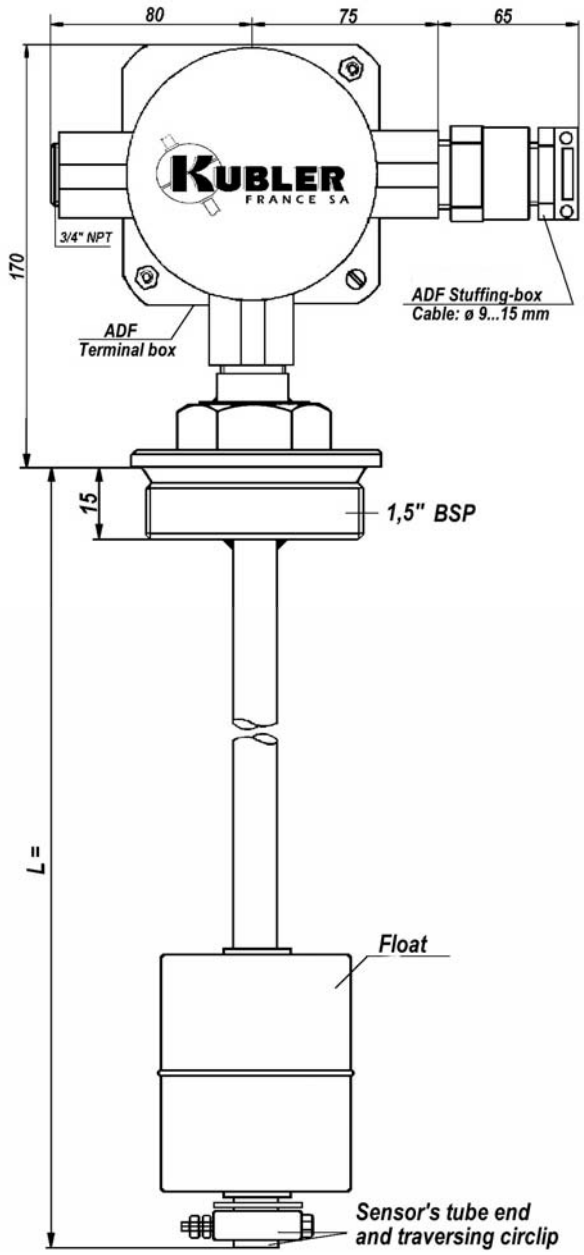
	DN	PN	∅ flange	∅ drill.	∅ holes	nber	screw	thick.
	65	16	185	145	18	4	M16	20
	80	16	200	160	18	8	M16	20
	100	16	220	180	18	8	M16	20
	125	16	250	210	18	8	M16	20

	10, avenue d'Alsace 68702 CERNAY	TEL: +333.89.75.41.73 FAX: +333.89.75.53.14
TYPE: AFVDN PN -VK-L -SV-C30EX		
✕LEVSENS/03-1		

MAGNETIC LEVEL SENSOR

**EXPLOSIVE ATMOSPHERES ACCORDING TO DIRECTIVE 94/9/CE
LCIE 03 ATEX 6156 X**

VERSION : AF/ADF... II 2 GD EEX d IIC T6...T4



TERMINAL BOX:

Anticorrosion treatment and climate protection
Ingress Protection IP 66

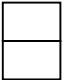
PROCESS CONNECTION:

Plug 2" G/BSP STAINLESS-STEEL 316 L

FLOAT:

STAINLESS-STEEL 316 TI diameter 44 mm type SVK

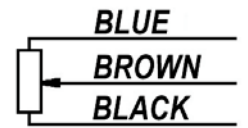
RESOLUTION:


Contact separation : 15 mm standard 
High temperature

GUIDE TUBE:

STAINLESS-STEEL 316 L diameter 12 x 1 mm

CONNECTION DIAGRAM:



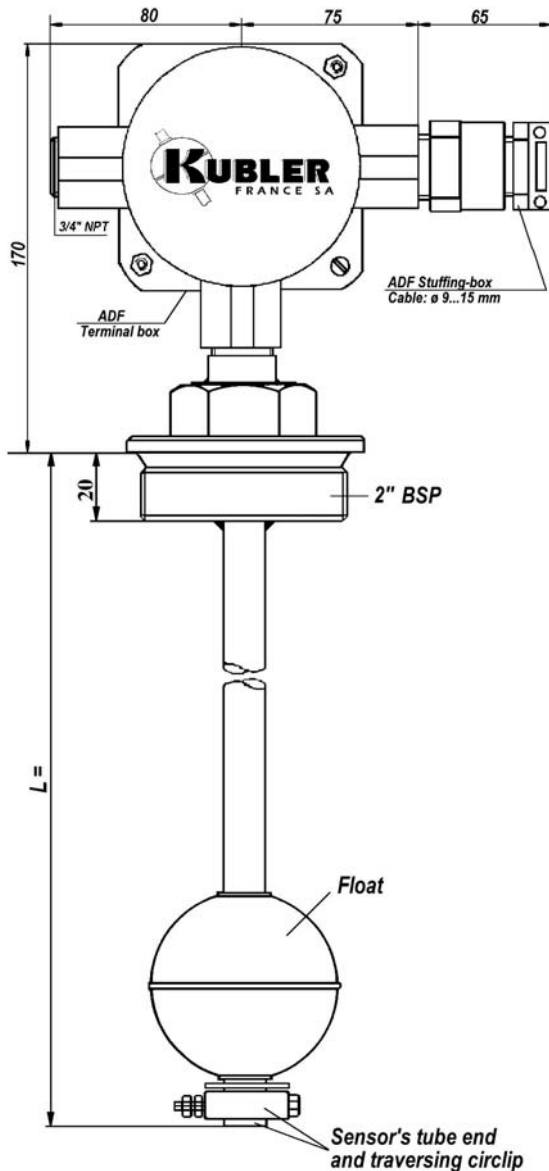
	10, avenue d'Alsace 68702 CERNAY	TEL: +333.89.75.41.73 FAX: +333.89.75.53.14
TYPE: AEV1,5 - VK - L		- SV - C30EX
✕LEVSENS/03-2		

MAGNETIC LEVEL SENSOR

EXPLOSIVE ATMOSPHERES ACCORDING TO DIRECTIVE 94/9/CE

LCIE 03 ATEX 6156 X

SERIAL : AF/ADF... II 2 GD EEX d IIC T6...T4



TERMINAL BOX:

Anticorrosion treatment and climate protection
Ingress Protection IP 66

PROCESS CONNECTION:

Plug 2" G/BSP STAINLESS-STEEL 316 L

FLOAT:

STAINLESS-STEEL 316 TI diameter 52 mm type SV

RESOLUTION:

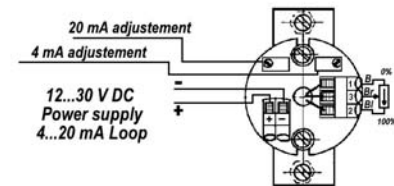
Contact separation : 15 mm standard
High temperature



GUIDE TUBE:

STAINLESS-STEEL 316 L diameter 12 x 1 mm

HEAD MOUNTED 4...20 mA SIGNAL



Max. Peak Load: 600 ohms



10, avenue d'Alsace
68702 CERNAY

TEL: +333.89.75.41.73
FAX: +333.89.75.53.14

TYPE: **AEV2-VK15- L**

-SV-C30EX-R/I-4.20-2C

✕LEVSENS/03-3